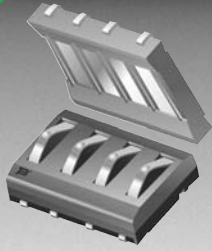


*RoHS COMPLIANT



BOURNS®

Features

- Low profile
- Rugged design
- Vertical or horizontal entry
- Tape & reel packaging available
- RoHS compliant*

70AD/Male - Modular Contact

Materials & Finishes

Insulator.....Glass reinforced thermoplastic, UL 94V-0 rated, black
 Contact.....Copper alloy
 Finish
 Underplating.....30 μ" - 60 μ" nickel
 Contact Area.....30 μ" Au over Ni
 Termination.....Tin alloy (meets MIL-STD-202, method 208)

Operating Characteristics

Electrical
 Current Rating.....DC 3 A/contact
 Voltage RatingDC 30 V
 Contact Resistance.....25 mΩ max.
 Dielectric Voltage.....AC 500 V
 Insulating Resistance.....500 MΩ min.
 Operating Temperature
-55 °C to 125 °C

Mechanical
 Vibration.....10-55 Hz, 0.06 inches D.A.
 Shock50 G, 11 ms
 Normal Force100 grams min. at a working height of 0.51 mm (0.020 in.)

Durability.....5,000 cycles

Patent No. 5,378,160.

How to Order

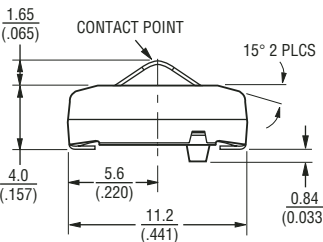
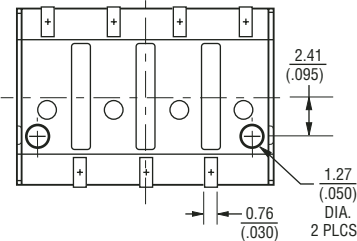
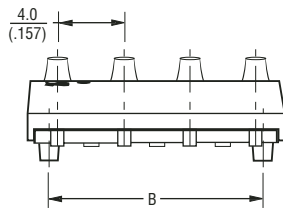
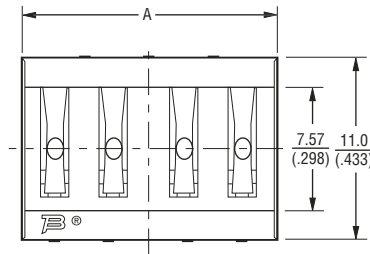
70AD J - 3 - M L 0 G

Model _____
 Terminal Style
 J = SMT
 H = Through-hole
 Number of Contacts _____
 2 through 6
 Gender
 M = Male
 Height
 L = Low Profile
 Options
 0 = Standard
 1 = Locator Pins (J style only)
 Packaging Option
 _ = Tube (240/N pcs. or 240 contacts per tube)
 G = Embossed Tape (500 pcs. per reel)

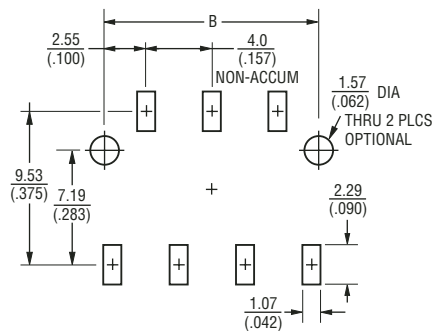
Number of Contacts	Dimension A	Dimension B
2	$\frac{7.7}{(.303)}$	$\frac{5.11}{(.201)}$
3	$\frac{11.7}{(.461)}$	$\frac{9.11}{(.359)}$
4	$\frac{15.7}{(.618)}$	$\frac{13.11}{(.516)}$
5	$\frac{19.7}{(.776)}$	$\frac{17.11}{(.674)}$
6	$\frac{23.7}{(.933)}$	$\frac{21.11}{(.831)}$

Product Dimensions

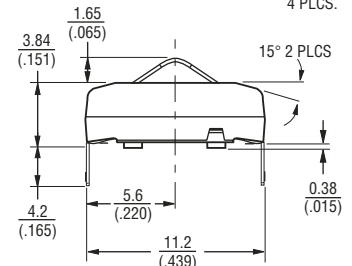
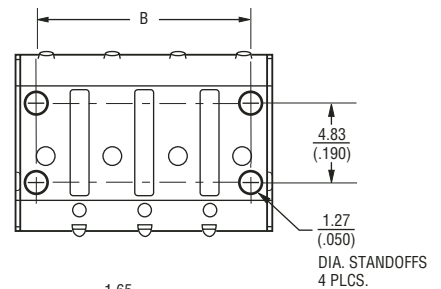
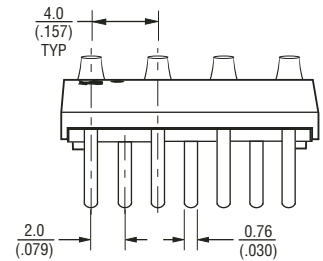
70ADJ



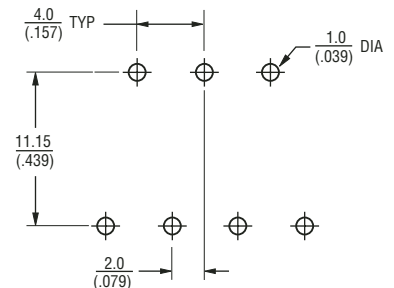
RECOMMENDED PWB MOUNTING PATTERN



70ADH



RECOMMENDED PWB PCB HOLE PATTERN



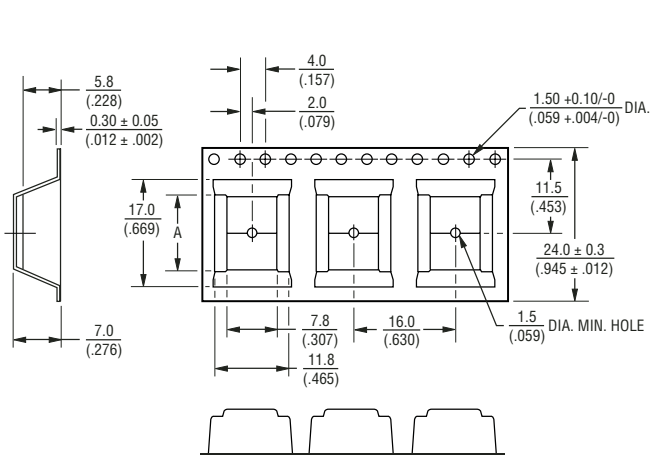
DIMENSIONS ARE: $\frac{\text{MM}}{\text{(INCHES)}}$
 TOLERANCES: $\pm \frac{0.30}{(.012)}$

*RoHS Directive 2002/95/EC Jan 27 2003 including Annex. Specifications are subject to change without notice. Customers should verify actual device performance in their specific applications.

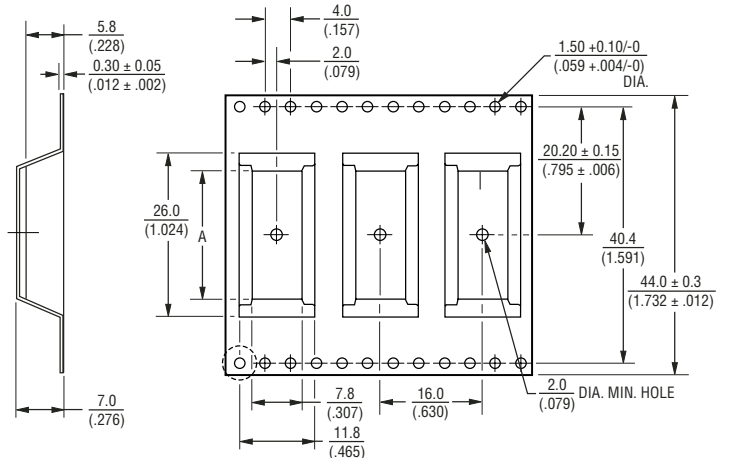
70AD/Male - Modular Contact

BOURNS®

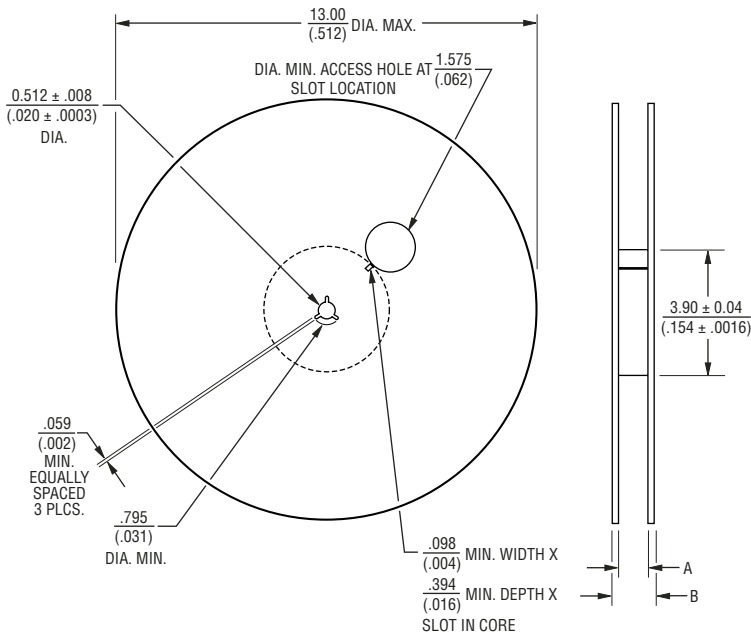
Packaging Specifications



Number of Contacts	Dimension A
2	$\frac{7.4}{(.291)}$
3	$\frac{11.7}{(.461)}$
4	$\frac{16.7}{(.657)}$



Number of Contacts	Dimension A
5	$\frac{18.87}{(.743)}$
6	$\frac{25.70}{(1.012)}$



Number of Contacts	Dimension A	Dimension B
2	$\frac{.961}{(.038)}$	$\frac{1.197}{(.047)}$
3	$\frac{.961}{(.038)}$	$\frac{1.197}{(.047)}$
4	$\frac{.961}{(.038)}$	$\frac{1.197}{(.047)}$
5	$\frac{1.765}{(.069)}$	$\frac{1.98}{(.078)}$
6	$\frac{1.765}{(.069)}$	$\frac{1.98}{(.078)}$

REV. 04/07

Specifications are subject to change without notice.
Customers should verify actual device performance in their specific applications.